

SSC Series

Subcooled Condensers

Patent Pending

CRN13987.5

The SSC, Sanitary Subcooled Condenser is a patent pending sanitary condensate chamber and steam trap assembly that was designed to replace the 12-18" downcomer (drip leg) traditionally installed between SIP temperature sensors and sanitary steam traps. It follows ASME BPE guidelines, being constructed of ASTM A479 316L barstock, fully drainable, and polished to SF1, 20 Ra μin (0,5 Ra μm), or optionally to SF5, 20 Ra μin electropolished.

OPERATION

As spent condensate and wet steam exit sterilized process tubing or equipment, the SSC rapidly removes enthalpy, subcooling the condensate below its saturation temperature. As the cooler condensate enters the sanitary steam trap, it causes the trap bellows to contract. The contracted bellows opens the trap orifice further allowing much greater amounts of condensate to exit the system.

The finned-chamber geometry of the SSC offers the best available technology for insuring rapid SIP heat-up and uninterrupted hold cycles, while offering a more economical alternative (re: space utilization and capital costs) to conventional downcomer designs.

SPECIFICATIONS

- Designed following the ASME BPE Guidelines
- ASTM A479 316L barstock construction
- Teflon/stainless and Silverback™ gaskets certified to FDA 21 CFR 177, and USP <88> Class VI
- SF1, 20 Ra μin (0,5 Ra μm) internal surface finish standard; SF5, 20 Ra μin (0,5 Ra μm) electropolish optional
- 3/4" Tri-Clamp® end connections standard
- Fully drainable in full size or compact configuration
- Max water flow capacity: 24,773#/hr @ 15 psi-d (11,236 kg/hr @ 1.03 bar-d)
- Max pressure rating: 145 psig
- Minimum port diameter: 0.62" (15,75 mm)



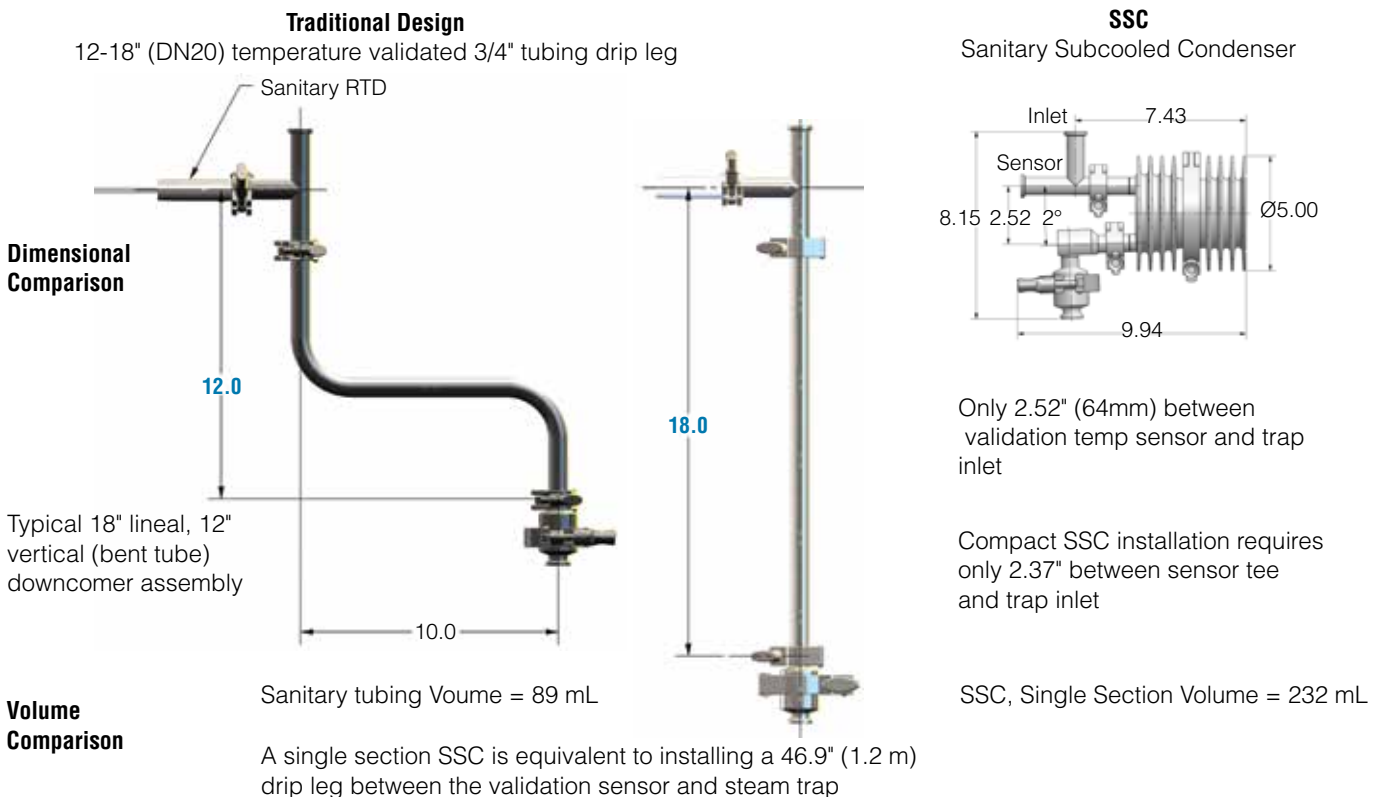
FEATURES

Project CAPEX savings on new, or retrofit installations

- The SSC can significantly reduce Project CAPEX by reducing SIP temperature sensor/trap assembly TIC (total installed cost), by reducing the cost for OEM process skids, or for retrofit and new site built installations. The savings accrue from the SSC's smaller installed space envelope relative to traditional site built SIP downcomer assemblies, and from the installation labor, materials handling and purchasing expense reduction associated with the purchase of a prefabricated SSC SIP Assembly.
 - TIC (Total Installed Cost) reductions
 - Significant reductions in Installation Labor and Material Handling costs: Everything comes preassembled sealed in tagged plastic bags: no on site material consolidation, staging, tube bending, assembly, welding, polishing, or work inspection labor costs
 - One purchase order for Tubing, Fittings, Valves, Temperature Sensor, and Steam Trap
 - Process skid capital cost reduction:
 - Use of the SSC will result in up to 15" skid height reduction – lower overall process skid material and labor costs
 - Process retrofit capital cost reduction:
 - SSC allows use of SIP steam trap/sensor in vertically constrained spaces (under vessels) without altering vessel height or requiring thru-the-floor downcomers

How does the SSC reduce the installed space envelope required for SIP downcomer assemblies?

- The SSC reduces the lineal and vertical distance needed between the SIP temp sensor and the steam trap by a minimum of 80%.
 - With the SSC, vertical head space is reduced by 15.6" if enduser practice calls for the industry preferred 18" lineal - vertical downcomer. For 18" - 12" vertical, bent tube installations, the savings are 9.6".
 - With the SSC, vertical head space reductions on 12" vertical tube downcomer (industry minimum lineal distance) assemblies is also 9.6". See installations.



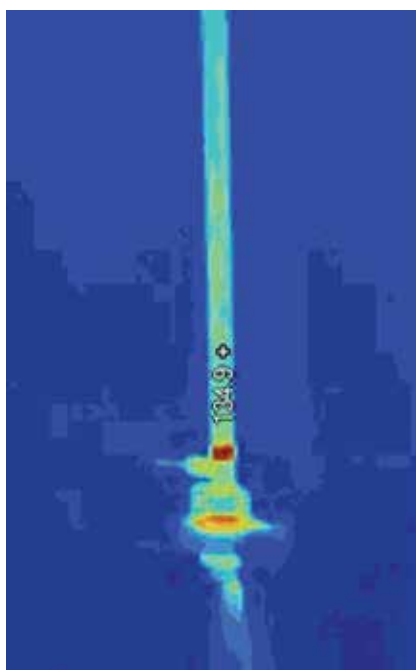
FEATURES

Increased Process Availability

- The SSC increases process equipment availability by reducing average annual SIP time. The device dramatically reduces the probability of SIP wetted temperature sensor faults, and total heat-up time.

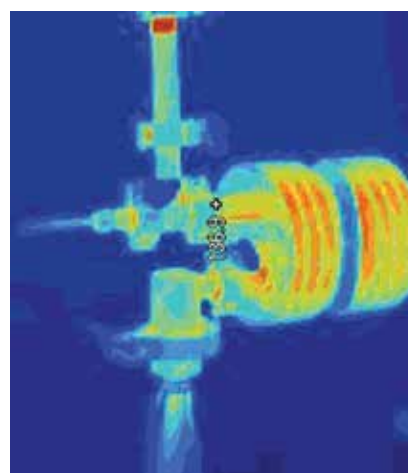
The SSC design makes it impossible for spent condensate to touch (cool) the SIP temperature sensor upstream of the trap under expected load conditions. And, it ensures that condensate cannot cool (and insulate) critical process areas that are being sterilized during heat-up or temperature hold periods.

- The SSC increases the volumetric condensate holding capacity immediately upstream of the trap by almost 3 times that of the industry's typical 3/4", 18" lineal sanitary tubing downcomer. This compact, extra capacity ensures that spent condensate is completely removed from the temperature sensor area, and from the tubing, vessel, or process equipment being sterilized.



18" 3/4" sanitary tubing downcomer

Infrared photograph of typical 18" downcomer and Steriflow's Sanitary Subcooled Condenser (SSC). Greater heat transfer capability is clearly evident.



3/4" Steriflow SSC Series

* A multinational Pharma company informed us that they tested the SSC on fixed and mobile formulation vessels and decreased heat up times by an average of 10 minutes.

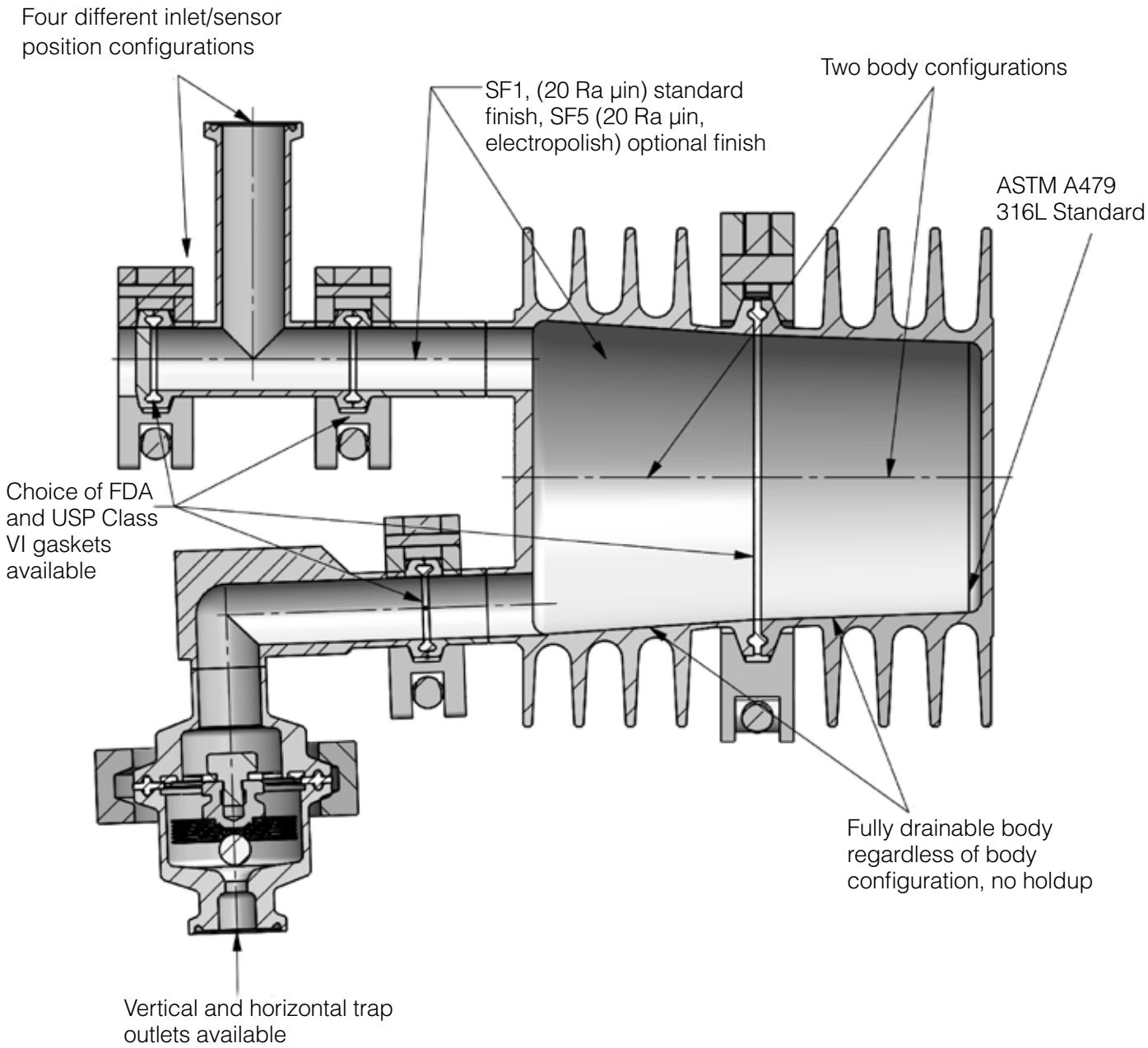
- The large volumetric and cooling capacity of the SSC increases the effectiveness of sanitary steam traps on high load, clean steam applications, such as bioreactor and fermentation vessels.

While manufacturers don't publish steam trap capacities at 30° subcooling, we do publish capacities at 20°F. With SIP steam pressures of 20 psi (1,4 bar) the trap condensate capacity increase when condensate is subcooled on 20°F is about 1323 lbs/hr (601 kg/hr). This significant increase in draining capacity lessens heat up time.

FLOW CAPACITY TABLE

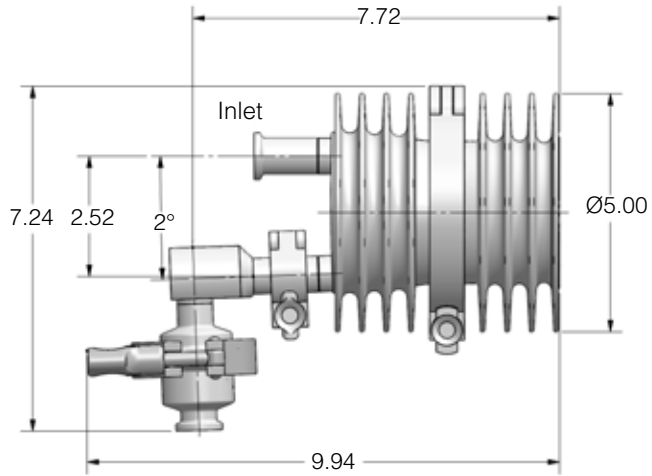
Condensate Temp Below Saturation (Sub-cooled Temp)	Capacity - lbs/hr (kg/hr) @ Differential Pressure - psi (bar)					
	10 (0,69)	20 (1,38)	30 (2,07)	50 (3,45)	75 (5,17)	90 (6,21)
5°F lbs/hr	195 (88,5)	373 (169)	549 (249)	870 (395)	1012 (459)	1165 (528)
10°F lbs/hr	490 (222)	813 (369)	1142 (518)	1715 (778)	2207 (1001)	2437 (1105)
20°F lbs/hr	1127 (511)	1697 (770)	2202 (999)	3074 (1394)	3932 (1784)	4139 (1877)
Cold Water lbs/hr	2580 (1170)	3648 (1655)	4468 (2027)	5768 (2616)	6944 (3150)	7504 (3404)

FEATURES & BENEFITS

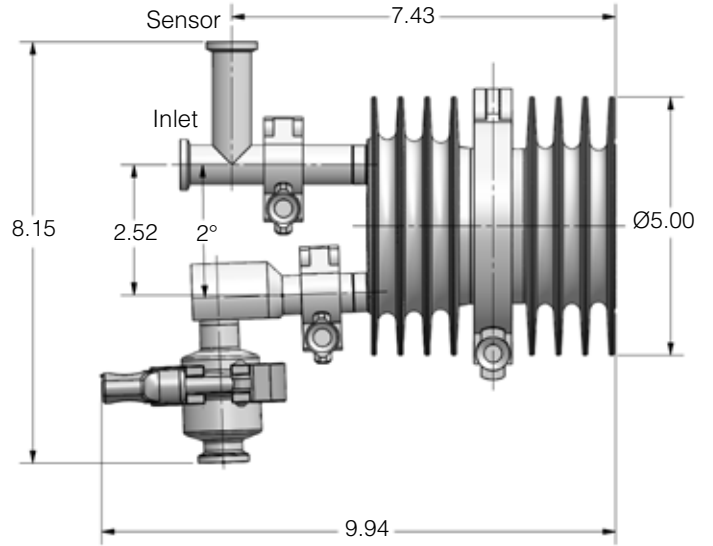


INSTALLATION & DIMENSIONS

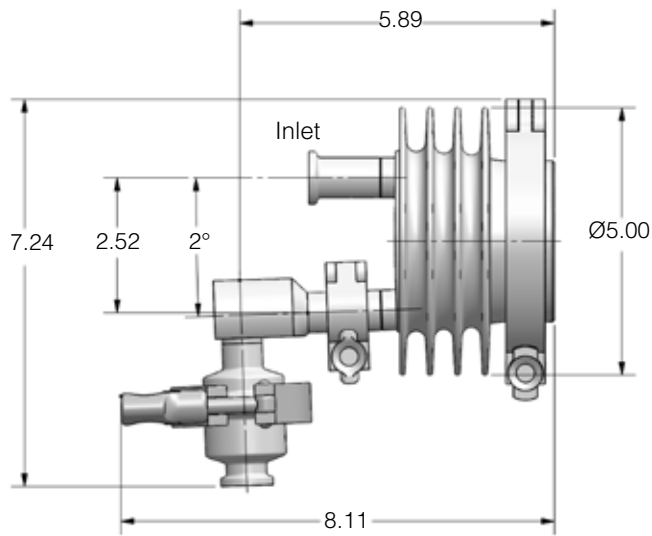
Horizontal Inlet, No Sensor, Two-body Segments, Model SSC-075-HN2...



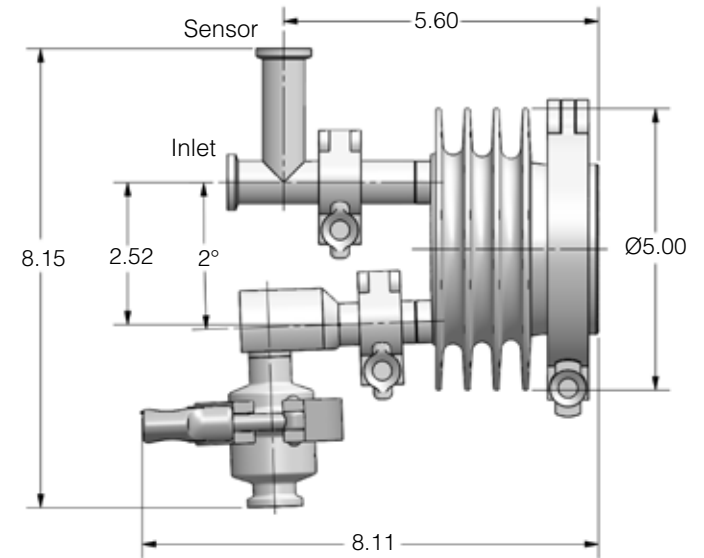
Horizontal Inlet, Sensor, Two-body Segments, Model SSC-075-HS2...



Horizontal Inlet, No Sensor, One-body Segment, Model SSC-075-HN1...

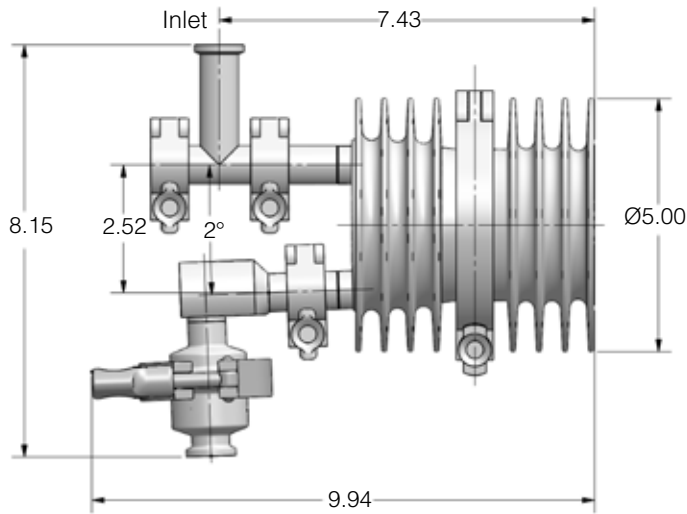


Horizontal Inlet, Sensor, One-body Segment, Model SSC-075-HS1...

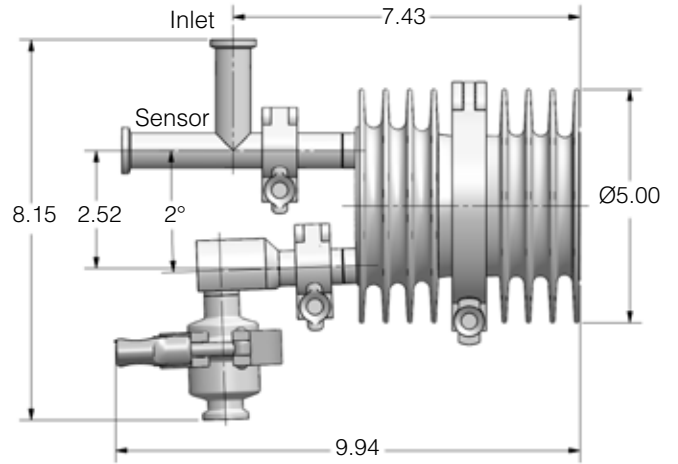


INSTALLATION & DIMENSIONS

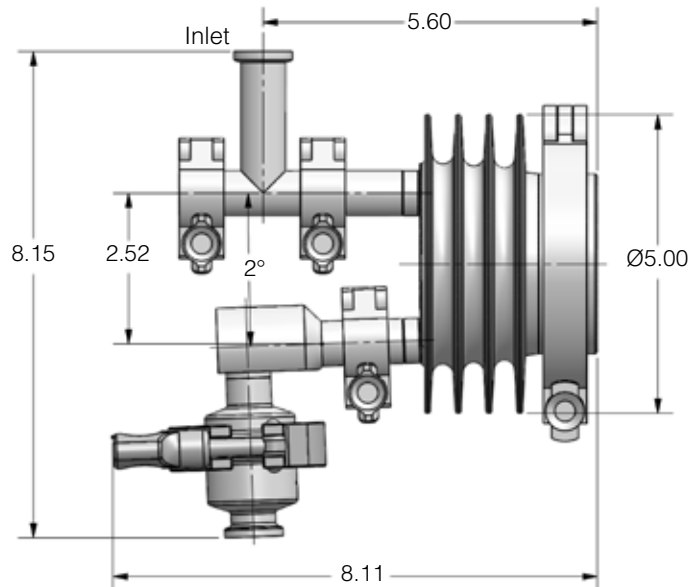
Vertical Inlet, No Sensor, Two-body Segments, Model SSC-075-VN2...



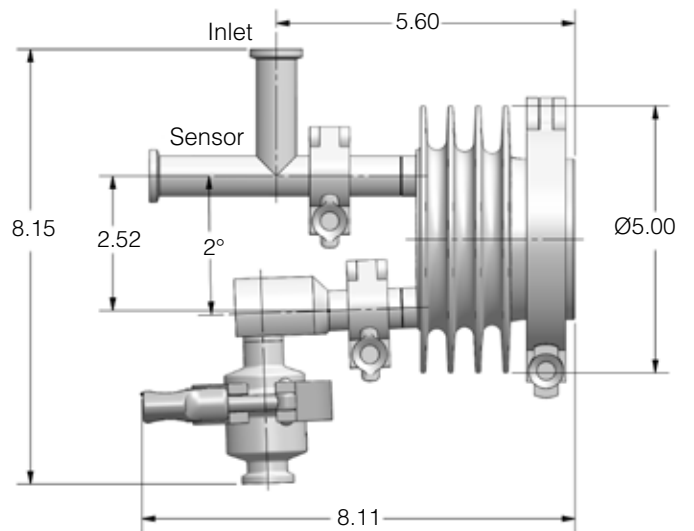
Vertical Inlet, Sensor, Two-body Segments, Model SSC-075-VS2...



Vertical Inlet, No Sensor, One-body Segment, Model SSC-075-VN1...



Vertical Inlet, Sensor, One-body Segment, Model SSC-075-VS1...



ORDERING SCHEMATIC — SSC SERIES

How to Order

To maximize your savings on temperature validated SSC assemblies, order your SIP temperature sensor and clean steam block valve, or check valve, with the SSC/steam trap assembly on one purchase order. We will purchase your specified components, assemble them to the SSC and bag the assembly for shipment with your installation drawings for shipment directly to your job site. To that end, we have made provisions in the SSC model code for your specified components.

Note: Solid Work files (version 2008) of your chosen SSC assembly (with trap) can be emailed to your process design team so that they can incorporate your chosen SSC configuration into your installation details.

1. **Select your SSC model using the model schematic below.**
2. **Select the steam trap model from the steam trap ordering grid on the next page. Note that you will have to include that model and price on your RFQ or order.**
3. **Include quantity and model information for any temperature sensor valve you require on a separate line item on your RFQ or order.**

Model	—	Size	—	Orientation	Sensor	Body Segment	Gasket	Acc. #1	Acc. #2	Acc. #3
-------	---	------	---	-------------	--------	--------------	--------	---------	---------	---------

Model	
SSC	Standard

Size	
075	3/4" (DN20)

Orientation	
H	Horizontal Inlet
V	Vertical Inlet

Sensor	
N	No Sensor connector needed
S	Sensor connector needed

Body Segment	
1	One Body Segment Assembly
L	Electropolish One Body Segment Assy
2	Two Body Segment Assembly
J	Electropolish Two Body Segment Assy

Gasket	
0	Standard, TFE/Viton Gasket
G	TFE/SST Gasket
L	TFE/SST Gasket & Bolted Clamp
S	Silverback Gasket

Accessory #1	
0	None
S*	Assemble to Mark 93 Steam Trap

* Must be specified separately on page 8

Accessory #2	
0	None
F*	TFE/Viton FDA, USP Class VI @ 250°F (121°C)

* Document Part #25384 required when ordering

Accessory #3	
0	None

ORDERING SCHEMATIC — MARK 93 SERIES (FOR ASSEMBLY TO SSC)

NOTE: If ordering a 3/4" MK93 with horizontal connections to replace a previous purchase, or ordering an identical model for a new process, PLEASE NOTE THAT THE ORDER CODES AND LAY-IN DIMENSIONS CHANGED IN 2014 and 2020. Call Steriflow, or your Steriflow representative if you have questions.

Model	Body	—	Size	—	End Connections	—	Special Options
93	HHC	—	075	—	C	—	P

1	Model/Body Joint
93HHC	Tri-Clamp Body/ Wingnut Clamp/ Horizontal In/Out
93HVC	Tri-Clamp Body/ Wingnut Clamp/ Horizontal In/ Vertical Out
93HHK	Tri-Clamp Body/ Bolted Clamp/ Horizontal In/Out
93HVK	Tri-Clamp Body/ Bolted Clamp/ Horizontal In/ Vertical Out

2	Size	
075	3/4"	DN20

3	End Connections
Inlet	Outlet
C	Inch Tri-Clamp

4	Options
B	20 Ra Ext. - Body Only
E	TFE/EPDM, FDA USP Class VI
G	Tuf-Steel, TFE/SST Body Gasket, FDA USP Class VI
S	Silverback Gasket TFE/SST Body Gasket, USP Class VI
P ¹	High Pressure Bellows
L	Electropolish MK93C or K Body
R	Electropolish, MK93B Bolted Body
F7*	TFE/Viton FDA, USP Class VI @ 250°F (121°C)
TF*	PTFE, USP Class VI @ 250°F (121°C)

1 For applications with inlet pressure > 45 psi (3 bar)

* Document Part #25384 required when ordering

Note: if no gasket is specifically requested, a TFE/Viton gasket is provided. You can combine up to 2 options in alphabetical order.

Steriflow Valve reserves the right to make revisions to its product, specifications, literature and related information without notice. Please visit our website at www.steriflowvalve.com for the latest information on our products.



Steriflow, a division of Richards Industrials
3170 Wasson Road • Cincinnati, OH 45209
513.533.5600 • steriflow@richardsind.com
www.steriflowvalve.com