

Sample Cooler Accessories

Sample Valve, Sample Hose, Hose Barb Adapter

SV Sample Valve

The SV was designed for use in high purity steam systems and water systems. The SV Series utilizes a steam resilient Perlast® seat seal and stem seal to ensure optimum service life and bubble tight shut-off. Because of these design characteristics, the SV is also used for any general pharma sampling application where a hand valve with sliding stem seal (O-ring) is required.

FEATURES

- Fully drainable when installed with handle facing up or on its side
- Compact design
- Autoclavable
- Suitable for CIP and SIP
- Fine stem threads for precision metering
- SF5 surface finish

DOCUMENTATION

The following documentation is shipped with each order:

- Steriflow Unicert: Each Unicert includes individual serial numbers, with heat numbers and attached MTR's directly traceable to each valve.
 - Traceable Material Heat Number
 - Certificate of Surface Finish
 - A certificate of conformance regarding the Borosilicate glass is available upon request at time of order.



APPLICATIONS

- Clean Utility Sampling
- Media and Budder Prep Samples
- Buffer Dilution Samples
- Media Samples
- Upstream and Downstream
 - Bioreactor Samples
 - Centrifuge Outflow Samples
 - Permeate Samples
 - Formulation Samples

SV Steam Sampling Valve

The SV is a precision control sampling valve and is designed to connect directly onto the sample cooler inlet to control the flow of clean steam, or Hot WFI into the unit to condense and cool. The SV can also be used for any general steam or hot WFI sampling application where a hand valve is required.

Connection: 1/2" Tri-Clamp®

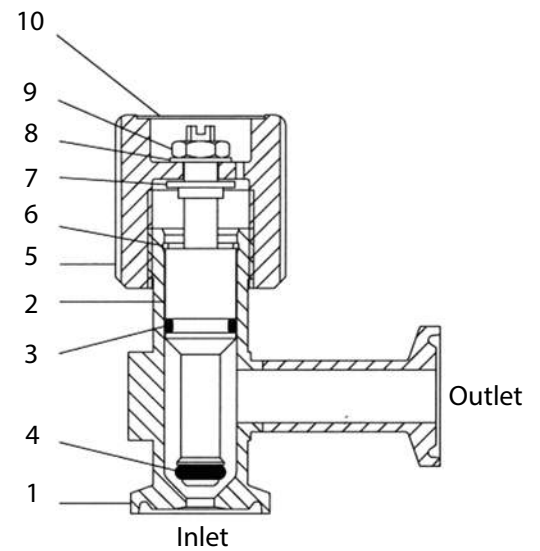
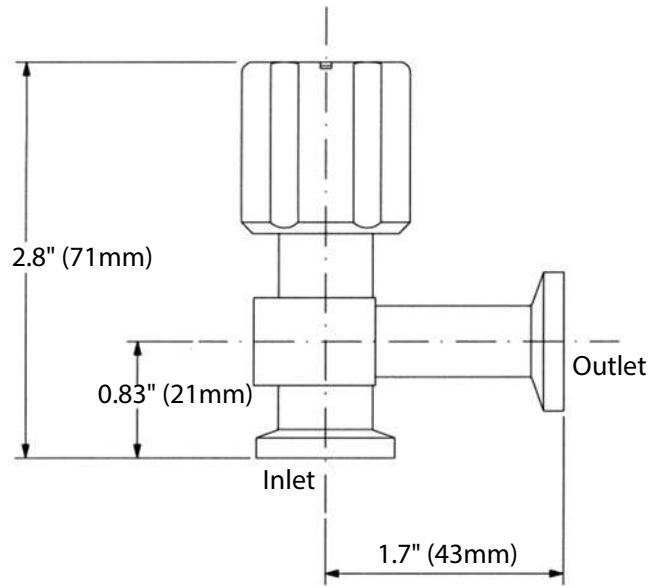
Maximum operating pressure: 116 psig (8.0 barg)

Maximum operating temperature : 347°F (176°C)

Surface finish

- Wetted Surfaces: SF5, 20 Ra µin (0.5 µm Ra) Electropolish
- External surfaces: Satin polish

Materials of Construction		
1	Body	316L Stainless Steel
2	Valve Stem	316L Stainless Steel
3	Stem Seal	Perloast® (FDA and USP Class VI compliant)
4	Seat Seal	
5	Handle	Polyetherimide
6-10	Non-wetted components	Stainless Steel

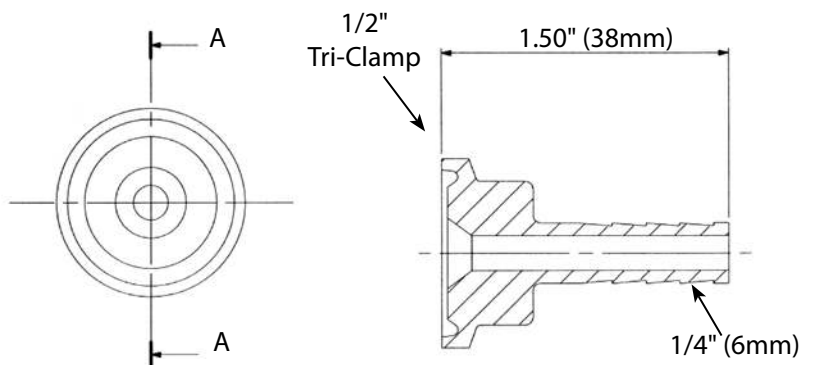


SA Hose Adapter

The SA allows users to connect the 1/2" Tri-Clamp sample outlet on any SC unit to a sanitary flexible hose so the sample can be directed where required. It can also be used without a hose as a directional spout.

Connection: Inlet 1/2" Tri-Clamp® outlet 1/4" nose barb (6mm)

Surface finish: SF1 20 Ra µin (0.5 µm Ra)



SAMPLE COOLER ACCESSORIES: SAMPLE VALVE, SAMPLE HOSE, HOSE BARB ADAPTER

ORDERING SCHEMATIC

(For use at sample cooler stream inlet, or a sanitary sample valve for any compatible process)

Model	—	Inlet Connection	—	Outlet Connection	—	Accessory	—	Finish

	Model
SV	Standard

	Inlet Connection
050	1/2" Tri-Clamp® (will mate 1/2" or 3/4" ferrule)
100	1" Tri-Clamp® (will mate 1" or 1-1/2" ferrule)

	Outlet Connection
050	1/2" Tri-Clamp® (will mate 1/2" or 3/4" ferrule)

	Accessory
0	None
K	Wing Nut Clamp & PTFE Gasket

	Finish
EP	SF5, 20 Ra µin (0,5 µm Ra), Electro-Polish

ORDERING SCHEMATIC – SAMPLE HOSE

(For connecting clean steam or on WFI to sample cooler inlet)

Model	—	Size	—	Length	—	Finish

	Model
SH	Standard, FDA, USP Class VI PTFE Liner

	Size
050	1/2" 316 SST Tri-Clamp®

	Length
2m	2m Long, PTFE with 304SS braid, FDA white silicon outer
4m	4m Long, PTFE with 304SS braid, FDA white silicon outer

	Finish
EP	SF5, 20 Ra µin (0,5 µm Ra), Electro-Polish

ORDERING SCHEMATIC – SAMPLE ADAPTER

To adapt 1/2" Tri-Clamp® sample outlet to 1/4" hose, or act as spout)

Model	—	Size	—	Accessory	—	Finish

	Model
SA	Sample Adapter

	Size
050	1/2" Tri-Clamp®

	Accessory
00	None
KT	Kit with Tri-Clamp® & PTFE Gasket

	Finish
EP	SF5, 20 Ra µin (0,5 µm Ra), Electro-Polish



Steriflow, a division of Richards Industrials
 3170 Wasson Road • Cincinnati, OH 45209
 513.533.5600 • steriflow@richardsind.com www.steriflowvalve.com

Steriflow Valve reserves the right to make revisions to its product, specifications, literature and related information without notice. Please visit our website at www.steriflowvalve.com for the latest information on our products.